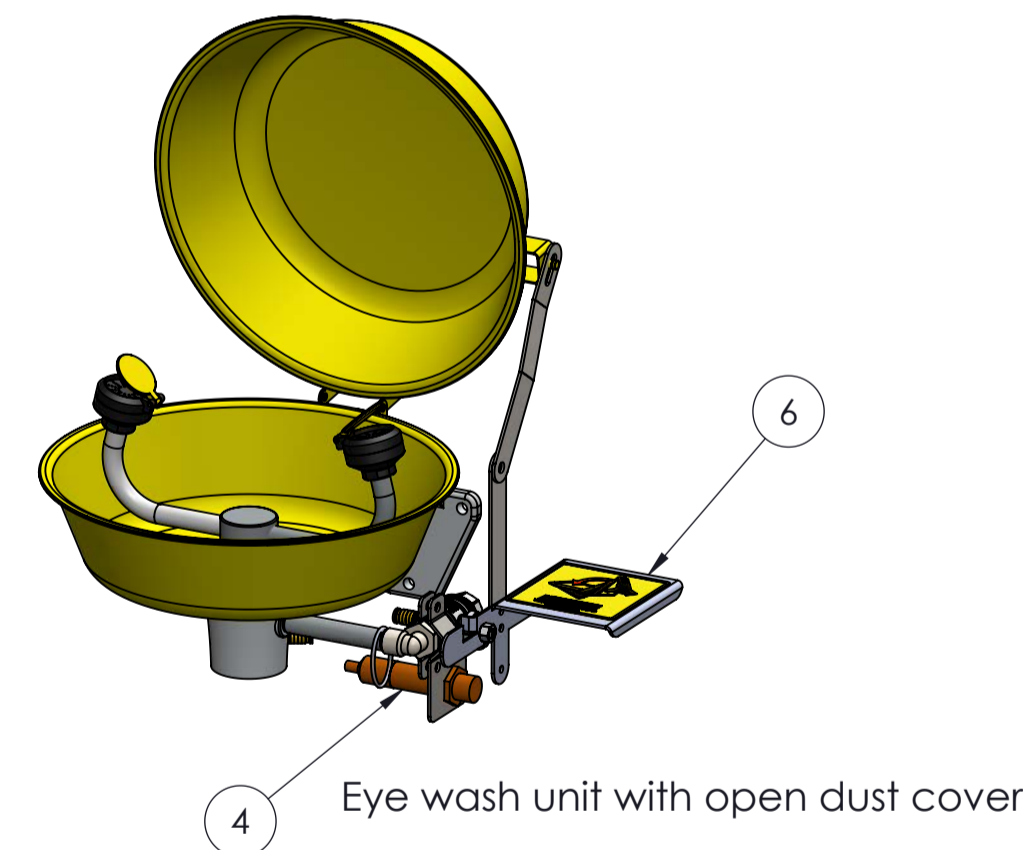
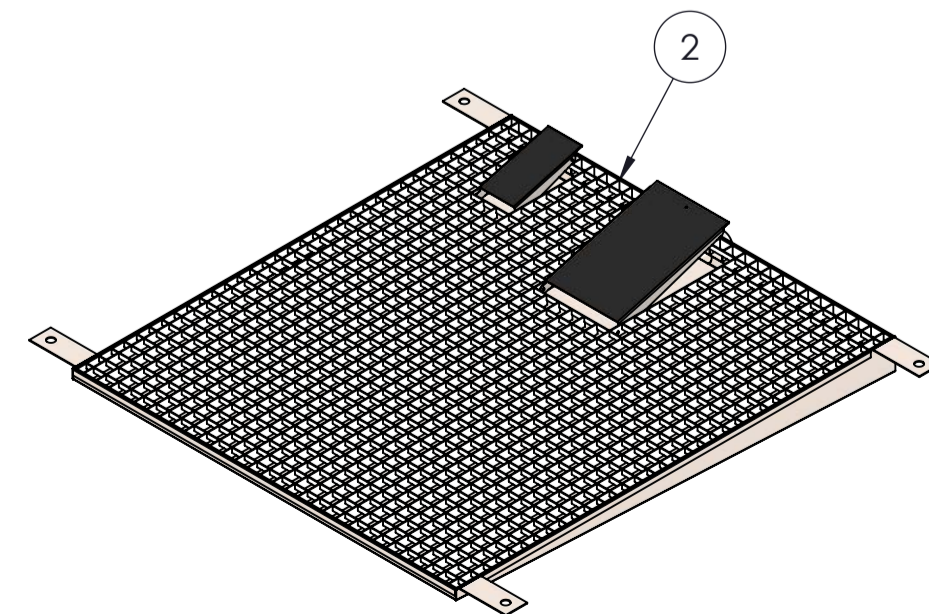


Catchment basin of stainless steel with drain, ensuring a safe collection of contaminated water.

Integrated separate Foot activation of emergency shower & eyewash.



4 Eye wash unit with open dust cover

17	1	LED Lighting fixture
16	1	Y-Strainer
15	1	Flashing beacon
14	1	Control card
13	1	Junction box heater
12	1	Horn for siren alarm
11	1	Flange connection 2"
10	1	Heating element
9	1	Wall panels, stainless steel with emergency arrowsigns
8	1	Thermometer
7	1	Shower head 240mm, stainless steel
6	1	Ball valve DN15 with push plate
5	1	Pull rod, stainless steel
4	2	Magnetic sensor
3	2	Eye wash unit with dust cover
2	1	Catchment basin with foot pedal activation
1	1	Emergency sign, eye wash
Pos	Qty	Description

**General information:**  
 Temperature controlled and insulated tank shower.  
 Water volume 1400L.  
 The tank shower is manufactured of SS304.  
 The emergency shower is manufactured of SS316

Product design and performance in accordance with ANSI/ISEA Z 358.1 standards.

Flow rate emergency shower: 76l/m  
 Flow rate emergency eyewash: 11,4l/m

Weight tank shower empty 350kg.

**Notes:**  
 This drawing features a Tank Shower System with Immersion heater.

System setup can be completely customized according to your requirements. Please contact us to help you design a system setup for your exact needs.

### Tank Shower model 7021

Stainless steel tank shower.

#### Equipment features

Insulated 1400L SS tank.	Equipped with immersion heater for controlled water temperature.
Catchment basin for collection of contaminated water.	*Equipment options to be customized according to customer requirements. Items shown in this generic drawing are common for the 7021 model.



Phone: +46-(0)21-14 92 00  
 Website: www.krusman.com

Generic Example Drawing - Model 7021