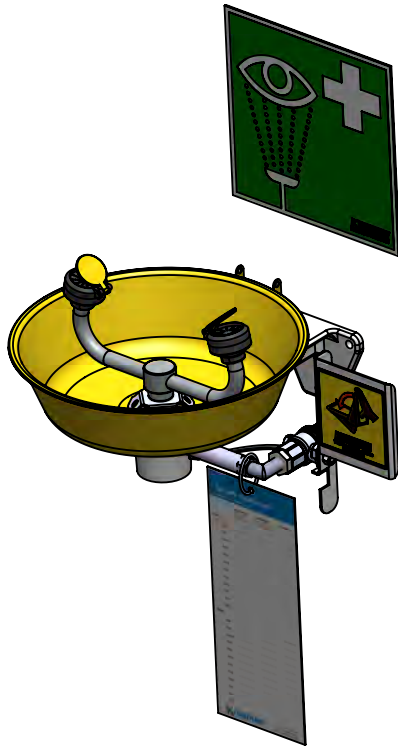
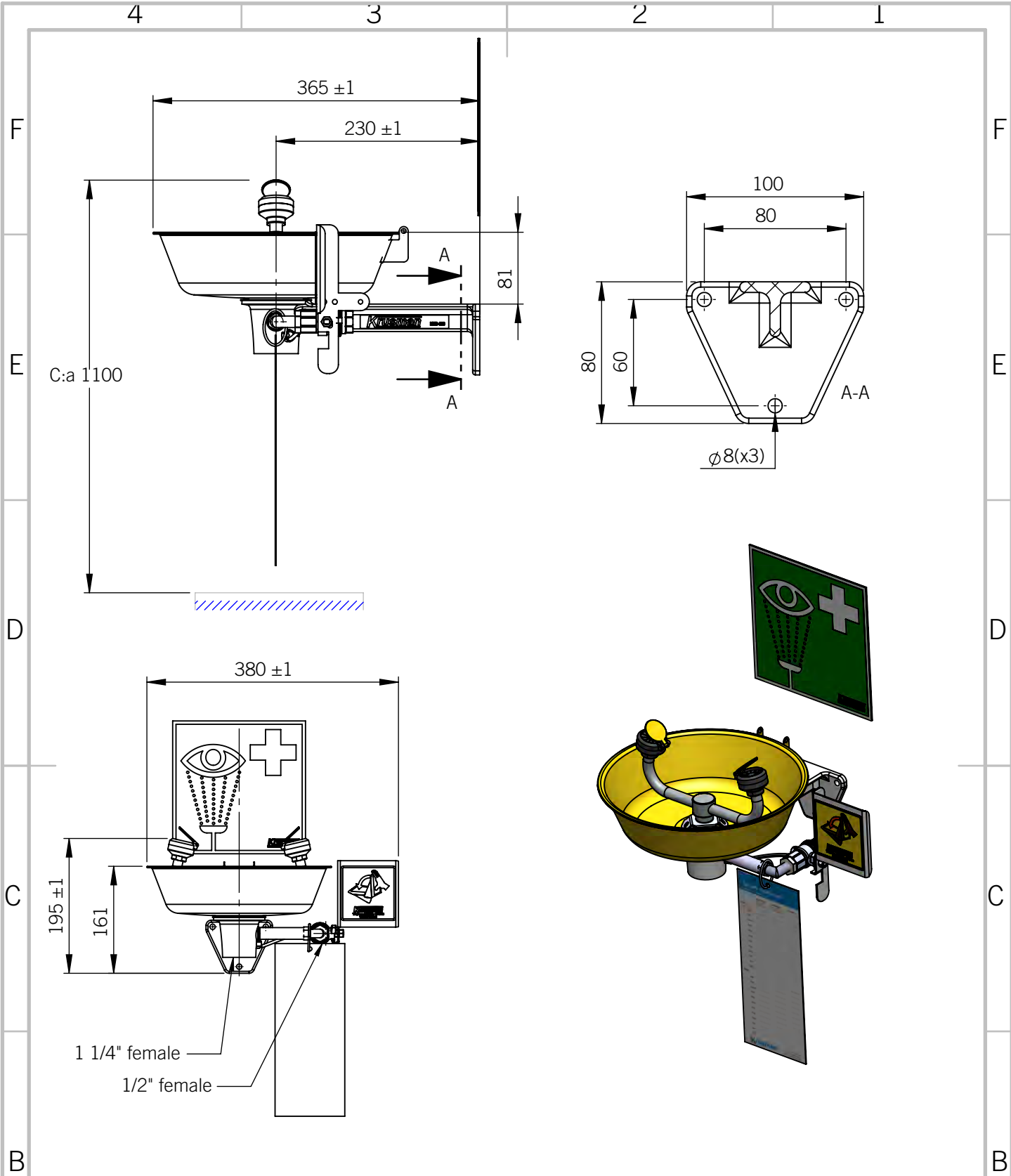



This document may not be copied without our written permission, and its contents may not be distributed to third parties or used for any unauthorized purpose. Violation will be prosecuted.



	Name	Date		
Created by:	PP	2024-10-11	Tel.+46(0)21149200 www.krusman.com	
Approved by:	SG	2024-10-14	Project: 3863	
Material:	Title: 3863 Eyewash, wall, bowl, without lid			
Comments:	Customer drawing			
	Size A4	Revision 0	Drawing number :3863	
	Scale: 1:2	Sheet 1 of 1	Weight (kg): 3 kg	Tolerance: ISO 2768-m