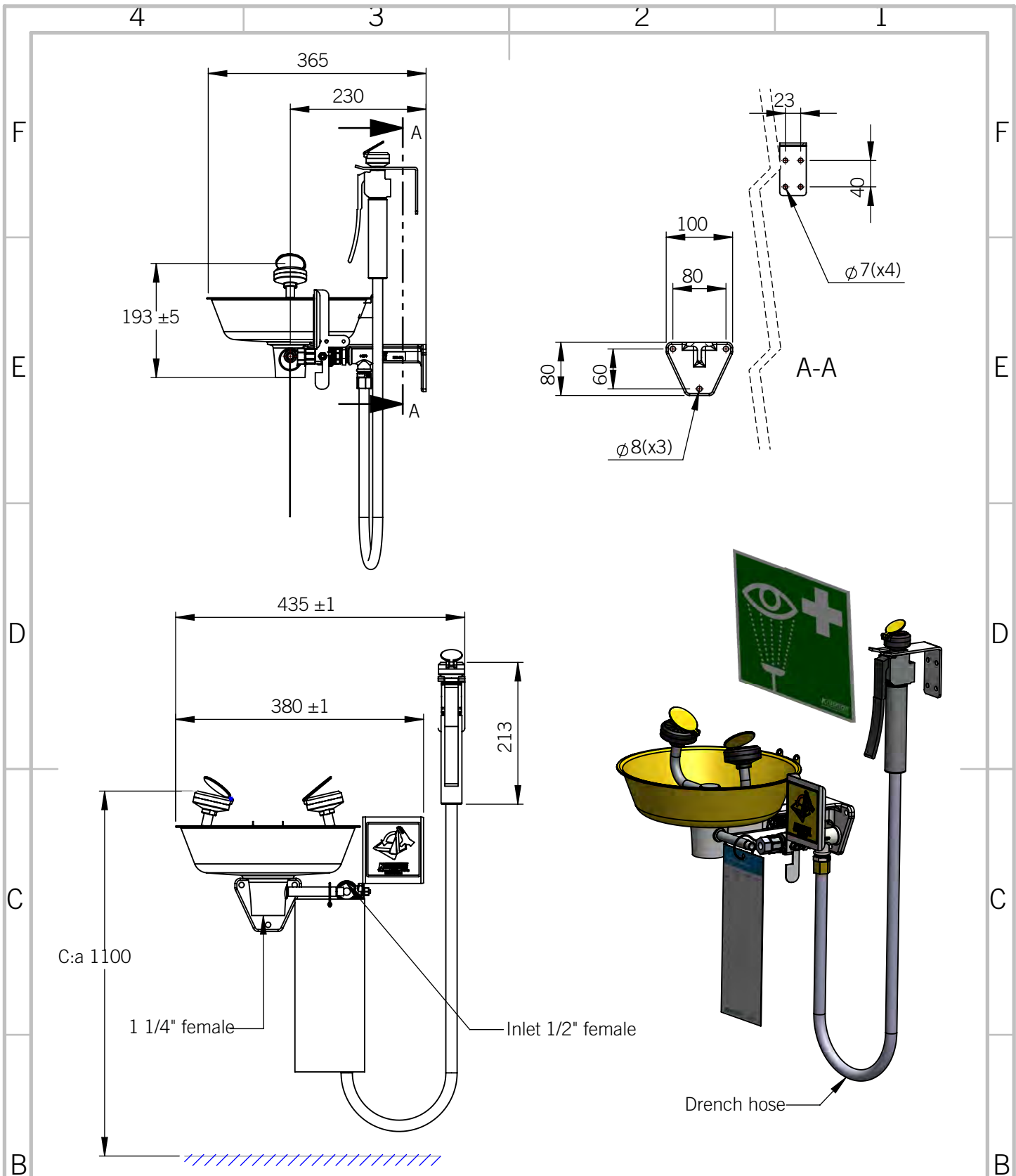





This document may not be copied without our written permission, and its contents may not be distributed to third parties or used for any unauthorized purpose. Violation will be prosecuted.



	Name	Date			 <small>Tel. +46(0)21149200 www.krusman.com</small>
Created by:	PP	2024-10-17			
Approved by:	SG	2024-10-18	Project:	3867	
Material:	Title: 3867 Eye/facewash, wall, bowl, drench hose, without lid				
Comments:					
			Customer drawing		
Size		Revision		Drawing number :3867	
A4		0			
Scale: 1:2		Sheet 1 of 1		Weight(kg): 4.5 kg	
				Tolerance: ISO 2768-m	

A

A