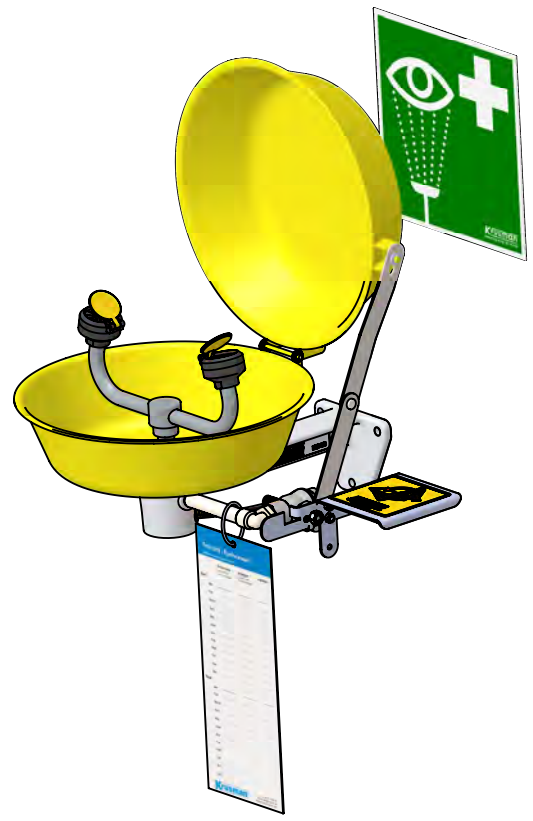
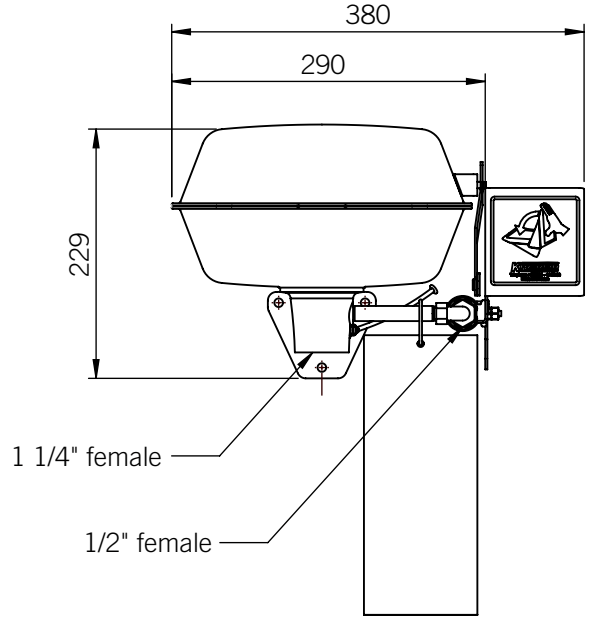
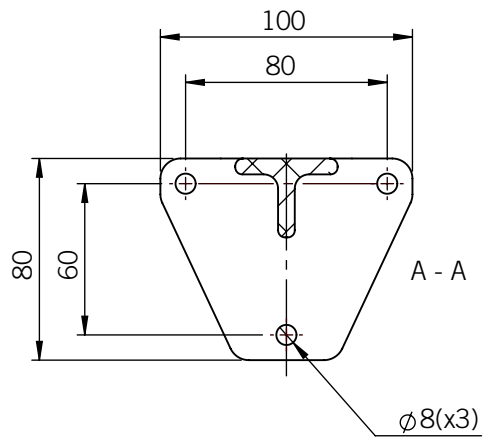
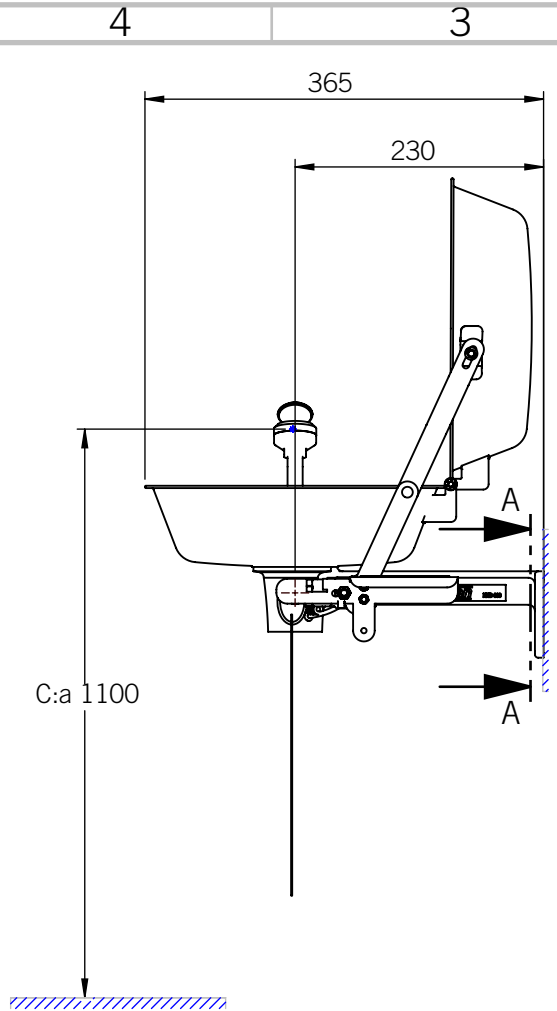





This document may not be copied without our written permission, and its contents may not be distributed to third parties or used for any unauthorized purpose. Violation will be prosecuted.



	Name	Date			 <small>Tel. +46(0)21149200 www.krusman.com</small>	
Created by:	PP	2024-10-10			Project: 3868	
Approved by:	SG	2024-10-10	Title: 3868 Eyewash, wall, bowl, lid			
Material:			Customer drawing			
Comments:			Size A4	Revision 0	Drawing number :3868	
	Scale: 1:2	Sheet 1 of 1	Weight(kg):4 kg	Tolerance: ISO 2768-m		