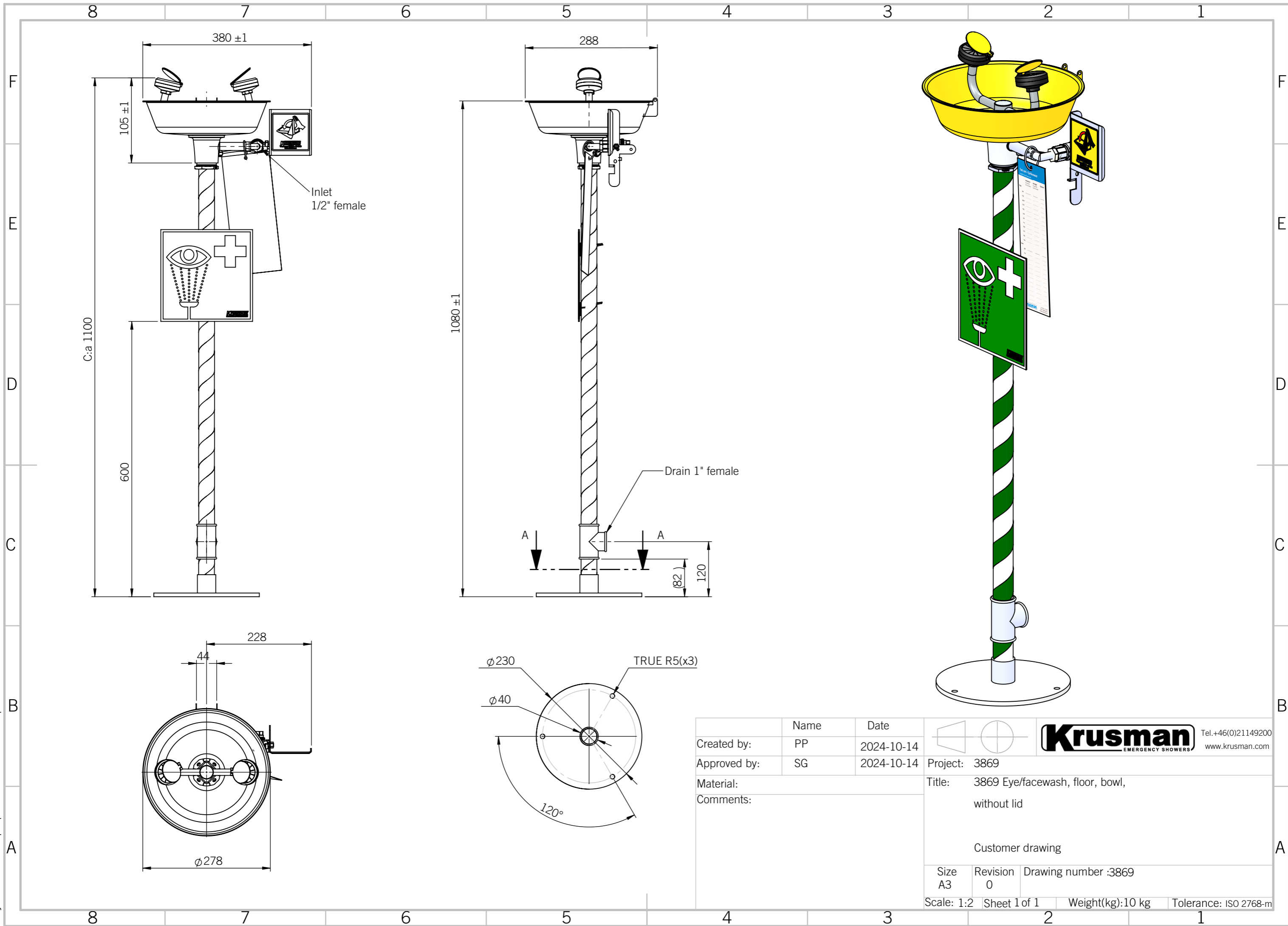



This document may not be copied without our written permission, and its contents may not be distributed to third parties or used for any unauthorized purpose. Violation will be prosecuted.



	Name	Date	 Tel.+46(0)21149200 www.krusman.com	
Created by:	PP	2024-10-14	Project: 3869 Title: 3869 Eye/facewash, floor, bowl, without lid Customer drawing	
Approved by:	SG	2024-10-14		
Material:	Size A3 Revision 0 Drawing number :3869 Scale: 1:2 Sheet 1 of 1 Weight(kg):10 kg Tolerance: ISO 2768-m			
Comments:				