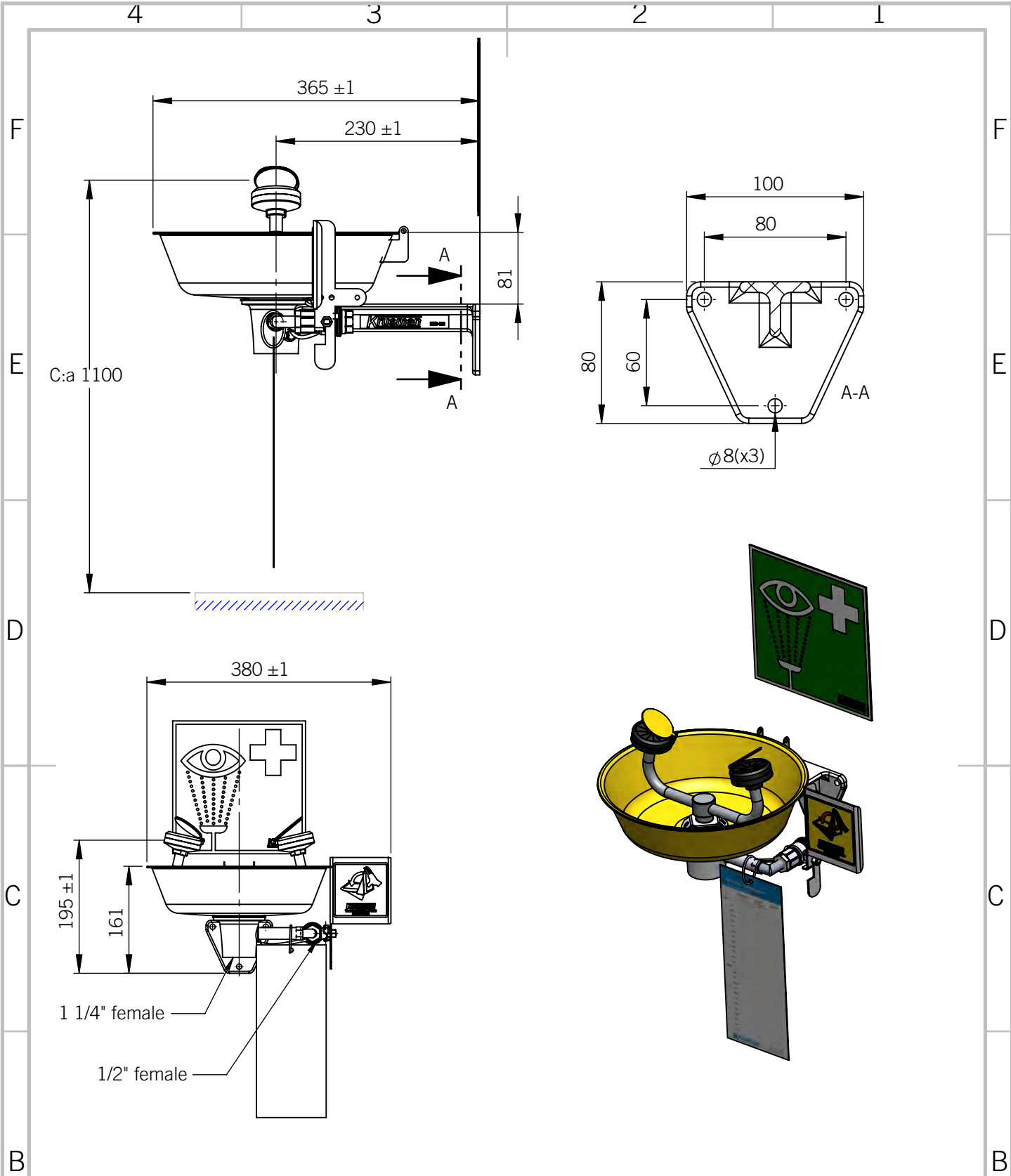


This document may not be copied without our written permission, and its contents may not be distributed to third parties or used for any unauthorized purpose. Violation will be prosecuted.



	Name	Date
Created by:	PP	2024-10-14
Approved by:	SG	2024-10-14



**Krusman** EMERGENCY SHOWERS  
 Tel. +46(0)21149200  
 www.krusman.com

Project: 3864  
 Title: 3864-00 Eye/facewash, wall, bowl, without lid, SS

Material:  
 Comments:  
 Customer drawing

Size A4	Revision 0	Drawing number :3864
Scale: 1:2	Sheet 1 of 1	Weight (kg):3 kg
		Tolerance: ISO 2768-m

A

A