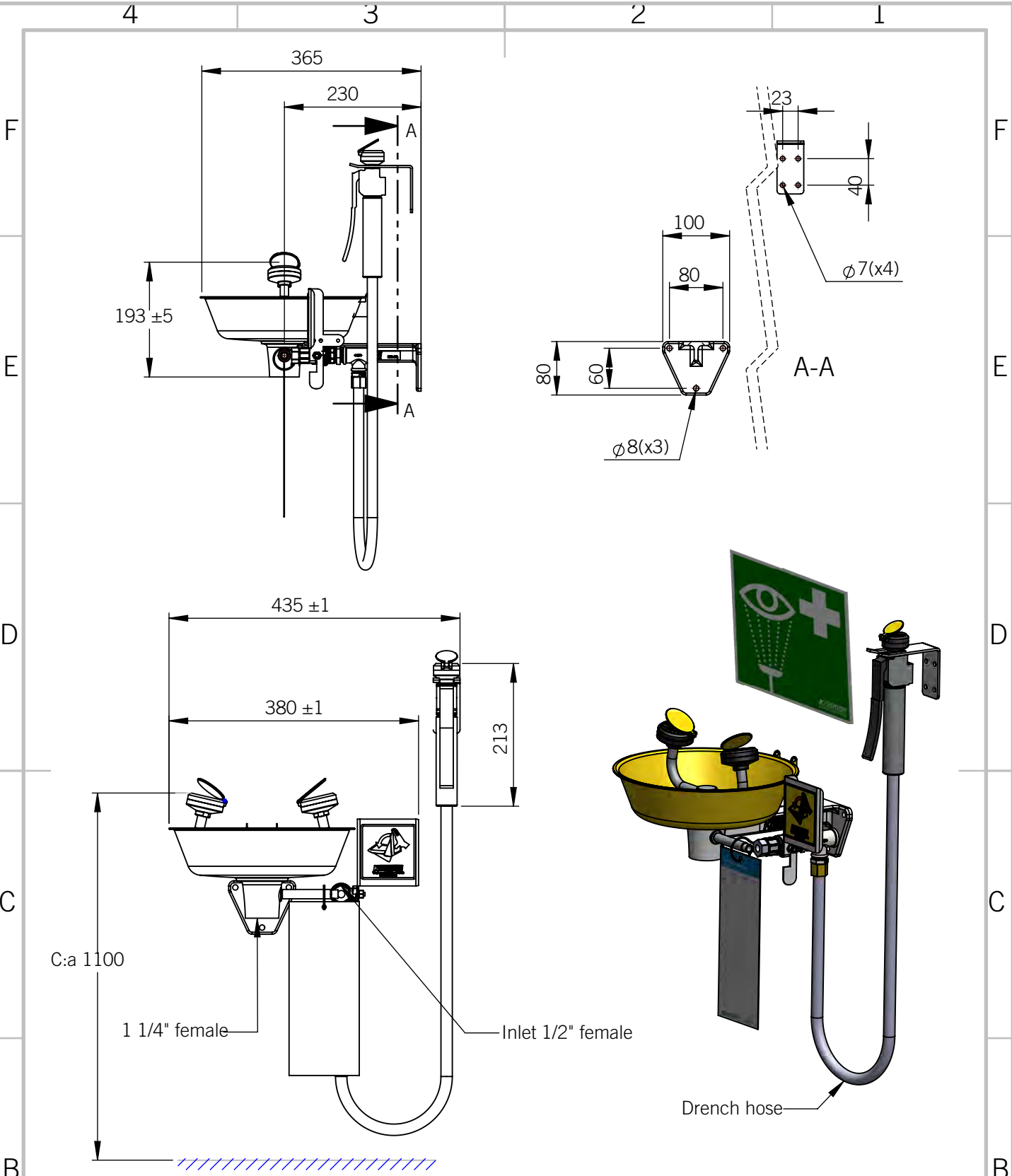





This document may not be copied without our written permission, and its contents may not be distributed to third parties or used for any unauthorized purpose. Violation will be prosecuted.



	Name	Date			 <small>Tel. +46(0)21149200 www.krusman.com</small>
Created by:	PP	2024-10-17			
Approved by:	SG	2024-10-18	Project:	3867	
Material:	Title: 3867-00 Eye/facewash, wall, bowl, drench hose, without lid, SS				
Comments:					
	Customer drawing				
	Size A4	Revision 0	Drawing number :3867		
	Scale: 1:2	Sheet 1 of 1	Weight(kg): 4.5 kg	Tolerance: ISO 2768-m	