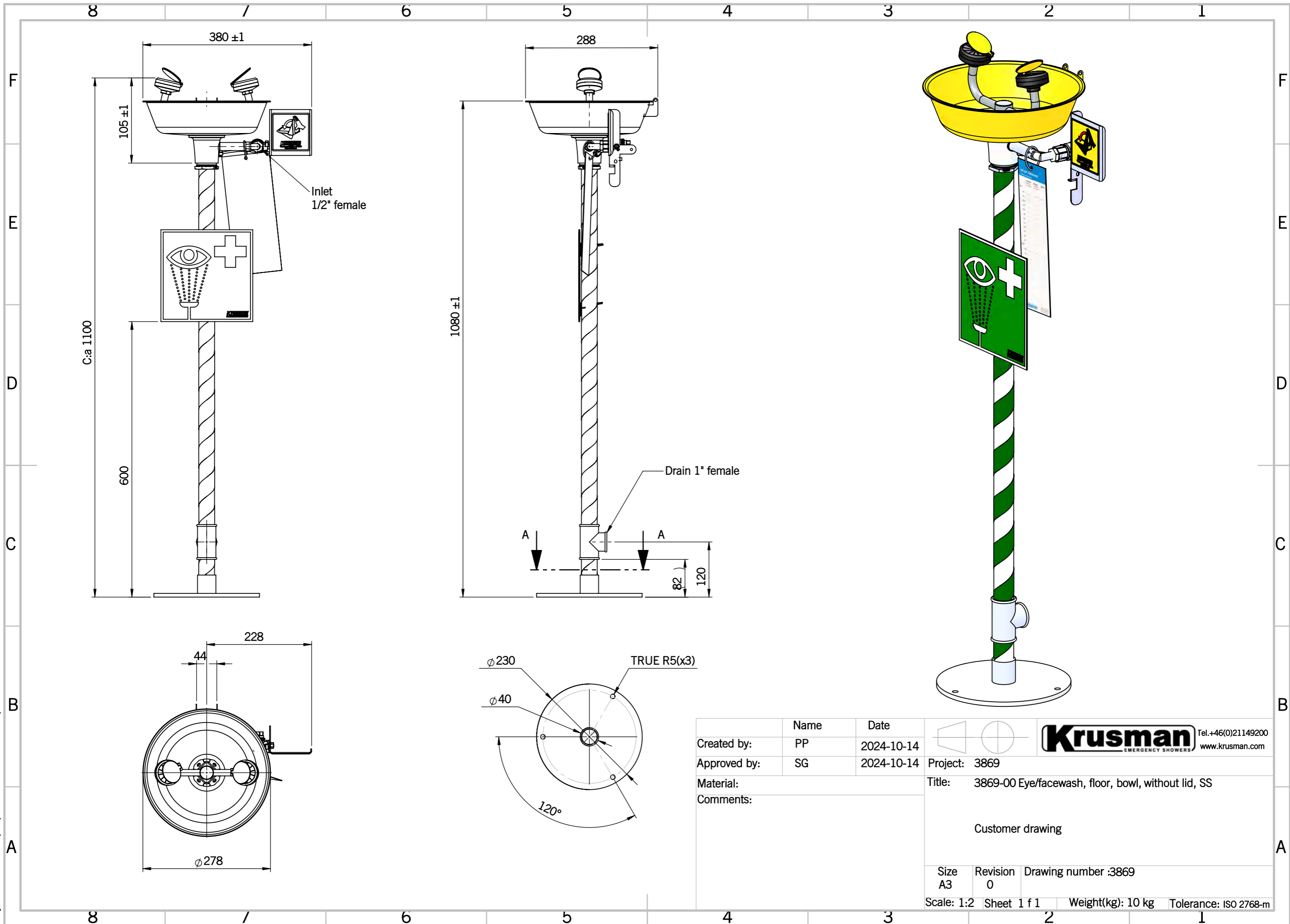



This document may not be copied without our written permission, and its contents may not be distributed to third parties or used for any unauthorized purpose. Violation will be prosecuted.



	Name	Date	 Tel.+46(0)21149200 www.krusman.com	
Created by:	PP	2024-10-14	Project:	3869
Approved by:	SG	2024-10-14	Title:	3869-00 Eye/facewash, floor, bowl, without lid, SS
Material:				
Comments:				
Customer drawing				
Size	Revision	Drawing number :3869		
A3	0			
Scale: 1:2		Sheet 1 f 1	Weight(kg): 10 kg	Tolerance: ISO 2768-m