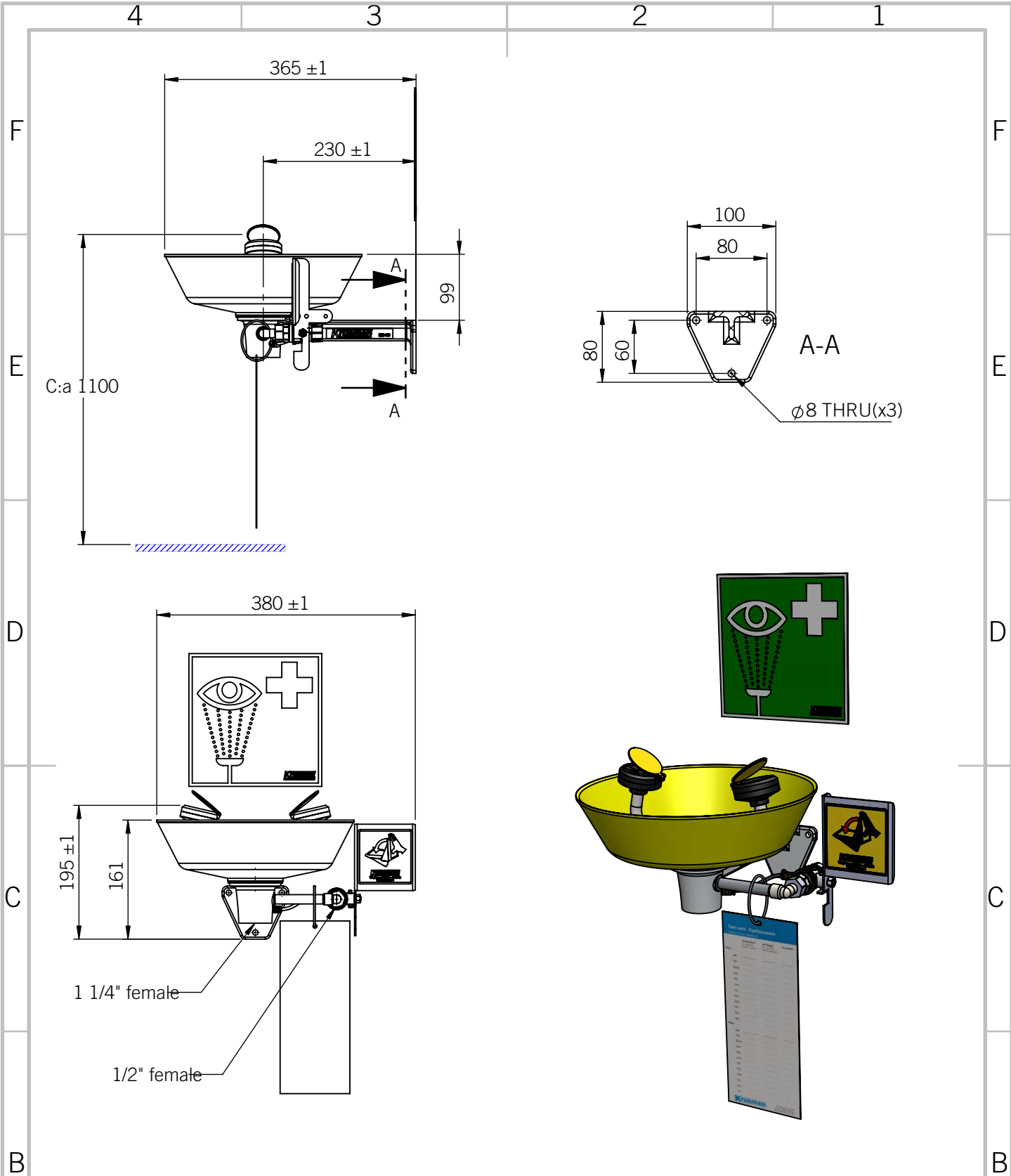



This document may not be copied without our written permission, and its contents may not be distributed to third parties or used for any unauthorized purpose. Violation will be prosecuted.



	Name	Date		
Created by	PP	2024-10-29	Tel. +46(0)21149200 www.krusman.com	
Approved by:	SG	2024-10-29	Project:	KN1724P
Material:			Title:	KN1724P
Comments:			Ögon/ansiktsdusch, vägg, skål, utan lock, plast	
			Customer drawing	
	Size	Revision	Drawing number: KN1724P	
	A4	0		
	Scale: 1:2	Sheet 1 av 1	Weight(kg): 3	Tolerance: ISO 2768-m